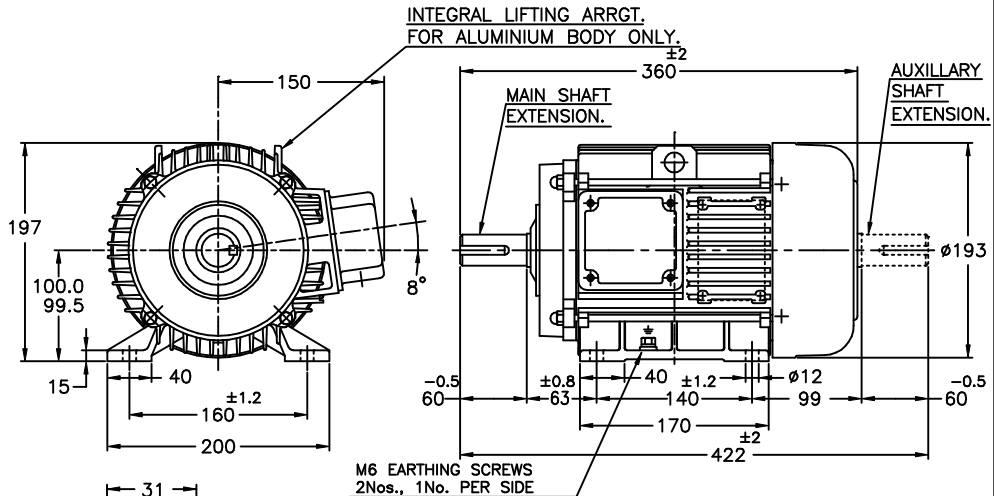


UNMENTIONED TOLERANCES

LINEAR DIMENSIONS (SUPTO MACHINED) TOL.	0	6	315	1000
ABOVE	±0.2	±0.5	±0.8	±1.2
ANGLES	± 1/2°			

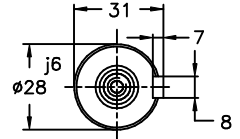
ALL INFORMATION CONTAINED IN THIS DOCUMENT IS CONFIDENTIAL AND THE PROPERTY OF KIRLOSKAR ELECTRIC CO.LTD. REPRODUCING OF THESE IN ANY FORM IS TO BE DONE WITH THE SPECIFIC PERMISSION OF THE COMPANY.

DIMENSIONAL DRAWING

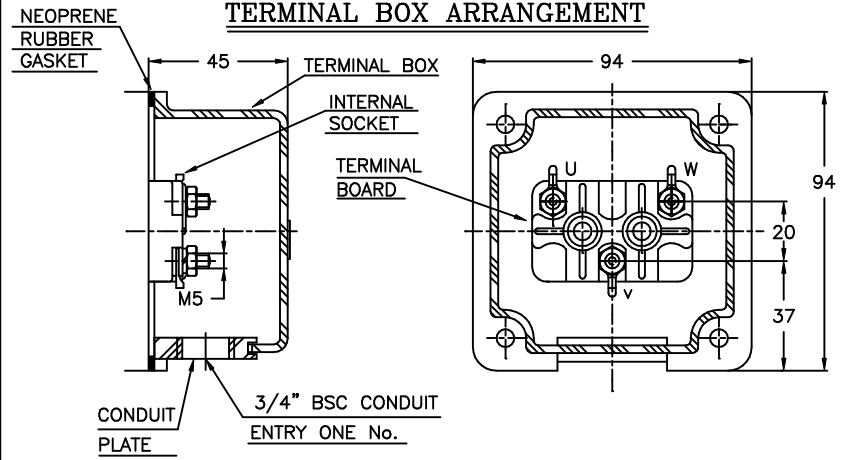


- NOTE :
1. DIMENSIONS ARE AS PER IS:1231
 2. DEGREE OF PROTECTION: IP:55.
 3. PROTECTED CENTRE HOLE AT SHAFT EXTENSION AS PER IS:2540. "M10 X 24" FOR 'D'- ø28
 4. TERMINAL BOX CAN BE ROTATABLE THROUGH 360° IN STEPS OF 90°.
 5. KEY & KEYWAY ARE AS PER IS:2048 & TOLERANCE ON KEYWAY IS P9.

DETAILS OF MAIN & AUXILIARY SHAFT EXTENSION



TERMINAL BOX ARRANGEMENT



NOTE: MAX. CABLE SIZE : MAIN-1x3Cx6 sqmm.

SURFACE ROUGHNESS (MAX) AS PER KSD-02-027

Ra um	50	12.5	25	1.6	3.2	6.3	1.2	0.4	0.8	0.8	0.025	0.05	0.1
OLD	✓	✓	✓	✓	✓	✓	✓	✓	✓	✓	✓	✓	✓
NEW	✓	✓	✓	✓	✓	✓	✓	✓	✓	✓	✓	✓	✓

UC: UNMENTIONED

REV.	ZONE	DCN.No.	BRIEF RECORD	SIGNATURE	DATE	PRINTS ISSUED TO
1	-	0122209	REDRAWN IN A NEW FORMAT.	Sd/-	10/01/09	QA MARKETING PRODUCTION
8	7	6	5			

Z122609100JR

THIS SUPERSEDES FROM dt AS PER DCN No.....

THIS SUPERSEDED BY FROM dt AS PER DCN No.....

MATERIAL SPECIFICATION	RAW MATERIAL SIZE	WEIGHT kg
-	-	RM FIN.
-	-	-

CASTING/FAB REF. _____ No.P.S.: -

USED ON **PM 100L**

REDRAWN CHECKED STANDARD APPROVED

Sd/- Sd/- Sd/- Sd/-

dt10/01/09 dt10/01/09 dt10/01/09 dt10/01/09

TITLE: **DIMENSION SHEET**

32260998R1

SHEET ONE OF ONE

KIRLOSKAR ELECTRIC COMPANY LTD. HUBLI-580030 (INDIA)



FORM No. 02 201 02B (ISSUE 7)